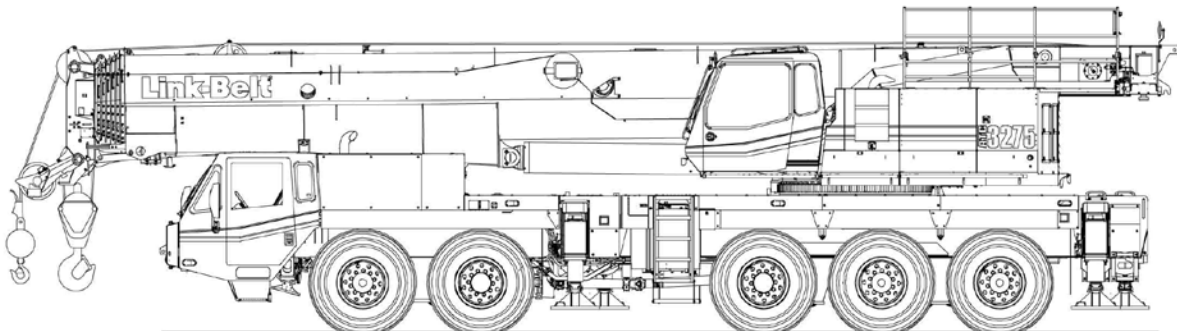


Technical Data

Specifications & Capacities

ATC 3275

Telescopic Boom All Terrain Crane
275 US ton
250 metric ton



CAUTION: This material is supplied for reference use only. Operator must refer to in-cab Crane Rating Manual and Operator's Manual to determine allowable crane lifting capacities and assembly and operating procedures.



1-800-233-2763
www.craneserviceinc.com

5583-0212-S2

Table Of Contents

Boom, Attachments, and Upper Structure	1
Boom	1
Boom Wear Pads	1
Boom Head	1
Boom Elevation	1
Auxiliary Lifting Sheave – Optional	1
Heavy Duty Lifting Sheave Package – Optional	1
Hook Blocks and Balls – Optional	1
Fly – Optional	1
Fly Extensions – Optional	2
Upper Operator’s Cab and Controls	2
Swing	3
Central Lubrication System	3
Electrical	3
Hydraulic System	3
Pump Drive	4
Fuel Tank	4
Engine	4
Load Hoist System	5
Load Hoist Performance	5
2M Main (Front) and Optional Auxiliary (Rear) Winches	5
Counterweight	5
Carrier	7
General	7
Outriggers	7
Steering and Axles	7
Suspension	7
Ground Control Outrigger/Suspension Controls	8
Tires and Wheels	9
Brakes	9
Central Lubrication System	9
Electrical	9
Engine	9
Transmission	9
Fuel Tank	9
Hydraulic System	9
Pump Drive	9
Lower Cab and Controls	10
Additional Equipment	11
Carrier Speeds and Gradeability	12

5583-0212-S2

General Dimensions	13
Boom Extend Modes	14
Working Range Diagram – Main Boom	15
Main Boom Lift Capacity Charts – Standard	16
Main Boom Lift Capacity Charts – Optional	17
Working Range Diagram – Main Boom + Fly	21
Manual & Hydraulic Offset Fly Attachment Lift Capacity Charts – Optional	22
Manual Offset Fly Attachment Lift Capacity Charts – Optional	24
Hydraulic Offset Fly Attachment Lift Capacity Charts – Optional	28

Boom, Attachments, and Upper Structure

■ Boom

Design – Seven section, formed construction of extra high tensile steel consisting of one base section and six telescoping sections. The two plate design of each section has multiple longitudinal bends for superior strength. Each telescoping section extends independently by means of one double – action, single stage hydraulic cylinder with integral holding valves.

Boom

- 43.7 – 223 ft (13.3 – 68m) seven section boom
- Integral boom dolly connection
- Boom removal quick disconnects
- Three pinned positions of 0%, 50%, and 100% on each boom section
- Mechanical boom angle indicator
- Wind speed indicator
- Eight boom extend modes (EM1 – EM8), controlled from the operator's cab, provide superior capacities by varying the extension of the telescoping sections:
 - EM1 extends to 223 ft (68m)
 - EM2 extends to 209.3 ft (63.8m)
 - EM3 extends to 177.5 ft (54.1m)
 - EM4 extends to 163.3 ft (49.8m)
 - EM5 extends to 133.4 ft (40.6m)
 - EM6 extends to 135.9 ft (41.4m)
 - EM7 extends to 105.4 ft (32.1m)
 - EM8 extends to 90.7 ft (27.6m)
- Maximum tip height for each extend mode is:
 - EM1 is 234.1 ft (71.3m)
 - EM2 is 220.5 ft (67.2m)
 - EM3 is 188.9 ft (57.6m)
 - EM4 is 174.8 ft (53.3m)
 - EM5 is 145.1 ft (44.2m)
 - EM6 is 147.6 ft (45.0m)
 - EM7 is 117.4 ft (35.8m)
 - EM8 is 102.8 ft (31.3m)

Boom Wear Pads

- Wear pads with Teflon inserts that self – lubricate the boom sections, inserts are universal for the boom.
- Bottom rear wear pads are universal for all boom sections.
- Top front wear pads are universal for all boom sections
- Top rear wear pads are common for T3, T4, T5, and T6 boom sections
- Top rear wear pads are common for T1 and T2 boom sections

Boom Head

- Seven 16.53 in (41.99cm) root diameter nylon sheaves to handle up to 16 parts of line with auxiliary lifting sheave
- Easily removable wire rope guards
- Rope dead end lugs on either side of the boom head
- Boom head is designed for quick – reeve of the hook block

Boom Elevation

- One double acting hydraulic cylinder with integral holding valve
- Boom elevation: -1.5° to 83°

Auxiliary Lifting Sheave – Optional

- Single 16.53 in (41.99cm) root diameter nylon sheave
- Easily removable wire rope guards
- Does not affect erection of the fly or use of the main head sheaves
- Can be stored on right side of the boom without removal

Heavy Duty Lifting Sheave Package – Optional

- Six 16.53 in (41.99cm) root diameter nylon sheaves
- Easily removable wire rope guards
- Necessary to achieve greater than 16 parts of line

Hook Blocks and Balls – Optional

- 35 ton (31.8mt) 1 sheave quick – reeve hook block with safety latch
- 66 ton (60mt) 3 sheave quick – reeve hook block with safety latch
- 100 ton (91mt) 5 sheave quick – reeve hook block with safety latch
- 140 ton (127mt) 7 sheave quick – reeve hook block with safety latch
- 200 ton (181mt) 10 sheave quick – reeve hook block with safety latch
- 275 ton (250mt) base rating hook block – two 140 ton (127mt) 7 sheave quick – reeve hook blocks with safety latch and 275 ton (250mt) hook block equalizer
- 12 ton (10.9mt) swivel hook ball with safety latch

Fly – Optional

- 40 – 67 ft (12.19 – 20.42m) two piece bi-fold lattice fly, stowable, offsettable to 2° , 15° , 30° , and 45° . Maximum tip height is 301 ft (91.7m). Minimum of 36,000 lb (16 329kg) of counterweight required.
- 12-40-67 ft (3.65-12.19-20.42m) three piece bi-fold lattice fly, stowable, offsettable to 2° , 15° , 30° , and 45° . Maximum tip height is 301 ft (91.7m). Minimum of 36,000 lb (16 329kg) of counterweight required.
- 12-40-67 ft (3.65-12.19-20.42m) three piece bi-fold lattice fly, stowable hydraulically offsettable to 2° through 45° . Maximum tip height is 301 ft (91.7m). Minimum of 36,000 lb (16 329kg) of counterweight required.

Fly Extensions – Optional

- One 25 ft (7.62m) lattice extension, equipped with one 16.38 in (41.6cm) root diameter nylon deflector sheave to be mounted between the boom head and fly options. Maximum tip height of 325.3 ft (99.2m). Minimum of 58,000 lb (26 308kg) of counterweight required.
- Two 25 ft (7.62m) lattice extensions, equipped with one 16.38 in (41.6cm) root diameter nylon deflector sheave to be mounted between the boom head and fly options. Maximum tip height of 350 ft (106.7m). Minimum of 58,000 lb (26 308kg) of counterweight required.

■ Upper Operator's Cab and Controls

Environmental Cab – Fully enclosed, one person cab of galvanneal steel structure with acoustical insulation.

Equipped with:

- Tilting cab up to 20°
- Tinted and tempered glass windows
- Five way adjustable, cushioned seat with headrests, and seat belt
- Extra-large fixed front window with windshield wiper and washer
- Swing up roof window with windshield wiper
- Sliding left side door with large fixed window
- Sliding right side window for ventilation
- Engine dependent warm – water heater with air ducts for front windshield defroster and cab floor
- Defroster fan for the front window
- Bubble level
- Circulating fan
- Sun screen
- Dome light
- Cup holder
- Fire extinguisher
- Left side viewing mirror
- Two position travel swing lock

Air Conditioning – Integral with cab heating system utilizing the same ventilation outlets

Armrest Controls – Two dual axis electronic joystick controllers or optional single axis electronic controllers for:

- Swing
- Boom hoist
- Main front winch
- Auxiliary rear winch – optional
- Drum rotation indication
- Drum rotation indicator activation switch
- Winch high/low speed disable switch(es)
- Cab heater and A/C controls
- Throttle lock switch
- Throttle set/resume switch
- Cab tilt switch
- Counterweight handling switch
- Warning horn button
- Swing park brake

Foot Controls

- Boom Telescope
- Swing brake
- Engine throttle

Right Front Console – Controls and indicators for:

- Warning horn button
- Function disable switch
- Cab floodlights switch
- Console dimmer switch
- 2–12 volt accessory outlets (Switched & Unswitched)
- Emergency engine shutdown
- Windshield wiper/washer switch
- Outrigger keypad
- Upper ignition switch
- Lower ignition switch
- DPF regeneration inhibit switch
- DPF regeneration initiate switch
- Boom floodlights switch – optional
- Rotating beacon/strobe light switch – optional
- Hydraulic offset fly switch – optional

Cab Instrumentation – Ergonomically positioned LCD display, CANBUS instrumentation for crane operation including:

- Tachometer
- Change filter indication
- Engine water temperature
- Fuel level
- Hydraulic oil temperature
- Stop engine
- Check engine
- Wait to start
- High exhaust temperature light
- DPF regeneration light
- Regeneration Disabled light
- Swing park brake light
- Fine metering function set & %
- Engine speed
- Engine oil pressure
- Battery voltage
- Engine hours
- Fuel rate (gal/hr)
- Engine load
- Third wrap indicator activation & setup
- Engine Diagnostics
- Electronic Control Diagnostics
- Outrigger level indicator
- Charge filter indicator

Diagnostic Center – Located on the left side of the front panel below the windshield

- Engine diagnostic
- RCL CANBUS diagnostic
- Boom CANBUS diagnostic
- Crane Controller USB diagnostic
- RCL controller USB diagnostic
- Manual boom control connection
- Manual crane control connection

Link-Belt Pulse – The Link-Belt in-house designed, total crane operating system that utilizes the display as a readout and operator interface for the following systems:

- **Rated capacity limiter** – LCD graphic audio – visual warning system integrated into the dash with anti – two block and function limiter. Operating data includes:
 - Crane configuration
 - Boom length
 - Boom head height
 - Allowed load and % of allowed load
 - RCL light bar
 - Boom angle
 - Radius of load
 - Actual load
 - Wind speed
 - Highlighted unit of measurement on working screen
 - Active pin/latch status
 - Telescope operation displayed in real time
 - Counterweight installation/removal
 - Third wrap indicator
 - Diagnostics
 - Outrigger position sensing
 - Drum rotation direction indicator
 - Operator settable alarms (include):
 - Maximum and minimum boom angles
 - Maximum tip height
 - Maximum boom length
 - Swing left/right positions
 - Operator defined area (imaginary plane)
- **Extend control module (ECM)**
 - Controls the extend modes
 - Diagnostics
- **Electronic controllers**
 - Controls all load lifting functions
 - Diagnostics
- **Fine metering**
 - Controls the reaction speeds of the main and auxiliary winches, boom hoist, and swing functions
 - Diagnostics

External RCL Light Bar – Optional – Visually informs the ground crew when crane is approaching maximum load capacity with a series of green, yellow, and red lights.

Internal RCL Light Bar – Optional – Visually informs the operator when crane is approaching maximum load capacity with a series of green, yellow, and red lights.

■ Swing

Motor/Planetary – Two bi-directional hydraulic swing motors mounted to planetary reduction units for 360° continuous smooth swing at 1.5 rpm.

Swing Park Brake – 360°, electric over hydraulic, (spring applied/hydraulic released) multi-disc brake mounted between the speed reducer and the motor. Operated by a switch in the operator's cab.

Swing Brake – 360°, foot operated, hydraulic applied disc brake mounted to the reduction unit.

Swing Lock – Two – position swing lock (boom over the front or rear) operated from the operator's cab.

360° Positive Swing Lock – Optional – Meets New York City requirement.

■ Central Lubrication System

Automated lubrication unit that injects grease into the turntable bearing, boom hoist cylinder pins, boom foot pins, house lock (2-position), and cab tilt cylinder. Activated by a timer on the ignition switch.

■ Electrical

Two batteries provide 12 – volt operation and starting. CANBUS wiring and components.

Swing Alarm – Audio/Visual warning device signals when the upper is swinging.

Lights

- Two working lights on the front of the cab
- One rotating amber beacon on top of the cab – optional
- One amber strobe beacon on top of the cab – optional
- Boom floodlight – Optional

Power Panel – Sealed power panel containing:

- Battery disconnects
- Hour meter
- Fuses, circuit breakers, relays, diodes, resistors
- Control modules

■ Hydraulic System

Main Pumps

- Two piston pumps for boom hoist and telescope
- Two piston pumps for main and auxiliary winches
- One piston pump for swing
- One piston pump for counterweight removal and hydraulic fly option
- One gear pump for engine fan
- One gear pump for upper oil cooler fan
- The upper engine powers the pumps. Combined pump capacity of 218 gpm (825.2Lpm).

Hydraulic Reservoir – 168 gal (635.9L) capacity equipped with sight level gauge. Diffusers built in for deaeration, and magnetic drain plug.

Filtration

- One, 7 – micron filter inside hydraulic reservoir, accessible for easy replacement
- One, 7 – micron charge filter next to the reservoir with an in – cab indicator light
- One suction strainer inside the hydraulic reservoir

“Fine inching” Mode – Special fine metering settings, selectable from the LCD, allows very slow movements to the main and auxiliary winches, boom hoist, and swing for precision work.

Counterbalance Valves – Boom extend cylinder and boom hoist cylinder are equipped with counterbalance valves to provide load lowering and prevents accidental load drop when hydraulic power is suddenly reduced.

Hydraulic Oil Cooler – Mounted on right side above telescoping valve. Removes heat from the hydraulic oil.

Boom Hoist Float Valves – For transporting the boom over the rear of the crane with a boom dolly. Allows hydraulic oil within the boom hoist cylinder to flow between piston side and case side.

Swing Brake Release Valve – For transporting the boom over the rear of the crane with a boom dolly. Holds the 360° swing park brake in the released position allowing free rotation of the upper structure.

■ Pump Drive

All pumps are mechanically driven by the diesel engine.

■ Fuel Tank

One 58 gal (219.5L) capacity aluminum tank.

■ Engine

Specification	Cummins QSB-6.7
Numbers of cylinders	6
Cycle	4
Emissions Compliance Level	Tier 4i/Stage IIIB
Bore and Stroke: inch (mm)	4.21 x 4.88 (106.9 x 124)
Piston Displacement: in ³ (cm ³)	409 (6 702)
Max. Brake Horsepower: hp (kW)	215 (160) @ 1,800 rpm
Peak Torque: ft lb (Nm)	685 (928) @ 1,300 rpm
Alternator: volts – amps	12 – 160
Crankcase Capacity: qt (L)	18.5 (17.5)
<ul style="list-style-type: none"> Complies with EPA emissions standards effective January 2010. 	

Load Hoist System Load Hoist Performance

Main (Front) and Auxiliary (Rear) Winches – 22mm (7/8 in) Rope										
Layer	Maximum Line Pull		Normal Line Speed		High Line Speed		Layer		Total	
	lb	kN	ft/min	m/min	ft/min	m/min	ft	m	ft	m
1	22,510	100.13	131	39.9	262	79.9	125	38.1	125	38.1
2	20,309	90.34	145	44.2	291	88.7	138	42.0	263	80.1
3	18,501	82.30	160	48.8	319	97.2	152	46.3	414	126.1
4	16,989	75.57	174	53.0	348	106.0	165	50.3	579	176.5
5	15,705	69.86	188	57.3	376	114.6	179	54.6	758	231.0
6	14,601	64.95	202	61.5	405	123.4	192	58.5	950	289.5

Wire Rope Application		Diameter		Type	Maximum Permissible Load	
		in	mm		lb	kN
Main (Front) Winch	Standard	7/8	22	34x7 rotation resistant – right regular lay (Type ZB)	20,920	93.05
	Optional	7/8	22	4 strand, low torque – right regular lay (Type GC)	29,700	132.11
	Optional	7/8	22	34x7 rotation resistant – right regular lay (Type YB)	21,680	96.43
Auxiliary (Rear) Winch	Standard	7/8	22	34x7 rotation resistant – right regular lay (Type ZB)	20,920	93.05
	Optional	7/8	22	4 strand, low torque – right regular lay (Type GC)	29,700	132.11
	Optional	7/8	22	34x7 rotation resistant – right regular lay (Type YB)	21,680	96.43

2M Main (Front) and Optional Auxiliary (Rear) Winches

- Axial piston, full and half displacement (2-speed) motors driven through planetary reduction unit for positive control under all load conditions
- Grooved lagging
- Power up/down mode of operation
- Hoist drum cable followers – optional
- Drum rotation indicators
- Drum diameter: 15 in (38.1cm)
- Rope diameter: 22mm (0.875 in)
- Rope length:
 - Main (Front) 950 ft (289.5m)
 - Auxiliary (Rear) 725 ft (221m) or 950 ft (289.5m)
- Maximum rope storage: 951 ft (289.9m)
- Terminator style socket and wedge

Third Wrap Indicator – Visually and audibly warns the operator when the wire rope is on the first (bottom) layer and when the wire rope is down to the last three wraps.

Counterweight

Standard – Total of 36,000 lbs (16 329kg) of total counterweight consisting of two hydraulically removable counterweights. Assembled and disassembled by hydraulic cylinders controlled from the operator's cab with capacities for:

- 0 lb (0kg) counterweight
- 14,000 lb (6 350kg) counterweight
- 36,000 lb (16 329kg) counterweight

Optional – 44,000 lb (19 958kg) in addition to standard counterweight for a total of 80,000 lb (36 287kg) counterweight for additional capacities for:

- 58,000 lb (26 308kg) counterweight
- 80,000 lb (36 287kg) counterweight

Optional – 79,500 lb (36 060kg) in addition to standard counterweight for a total of 115,500 lbs (52 390kg) counterweight for additional capacities for:

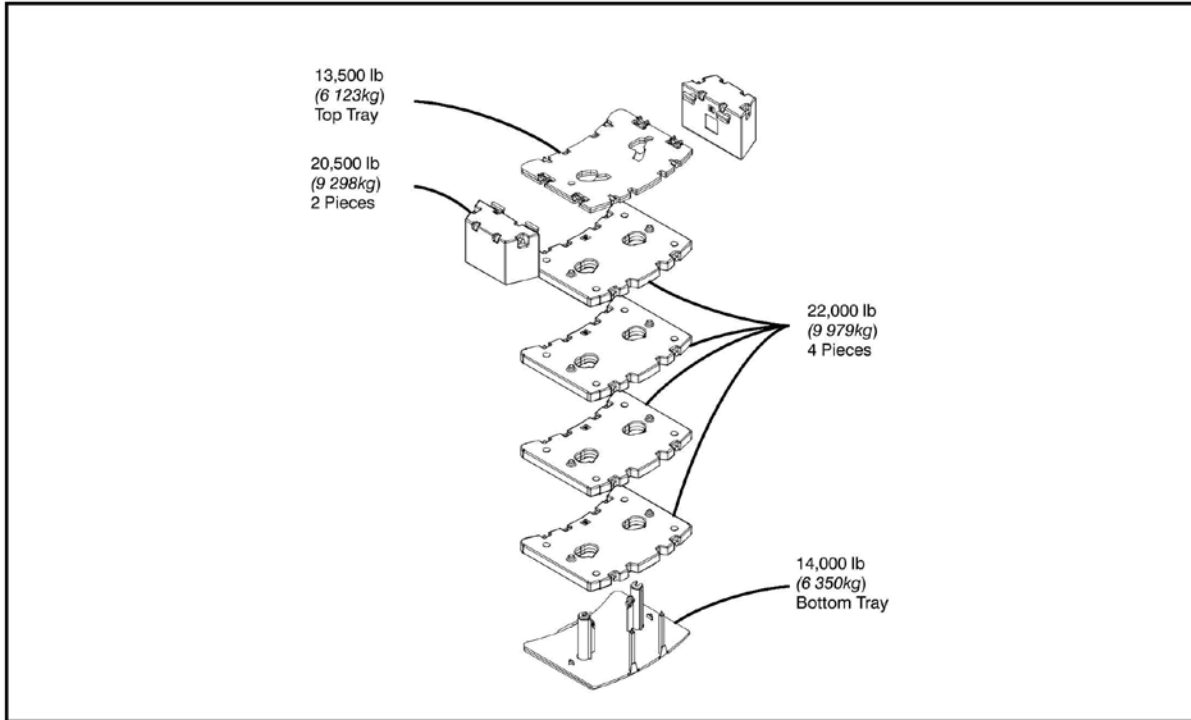
- 58,000 lb (26 308kg) counterweight
- 80,000 lb (36 287kg) counterweight
- 102,000 lb (46 266kg) counterweight
- 115,500 lbs (52 390kg) counterweight

Optional – 120,500 lb (54 657kg) in addition to standard counterweight for a total of 156,500 lbs (70 987kg) counterweight for additional capacities for:

- 58,000 lb (26 308kg) counterweight
- 80,000 lb (36 287kg) counterweight
- 102,000 lb (46 266kg) counterweight
- 115,500 lbs (52 390kg) counterweight
- 156,500 lbs (70 987kg) counterweight*

Low speed jobsite travel is offered for all counterweight configurations and a boom dolly or boom trailer may be required for on-highway travel.

*Overall width of the crane increases to 15 ft 2 in (4.6m).



Counterweight Packages		36,000 lb (16 329kg) – Standard						
		80,000 lb (36 287kg) – Optional						
Counterweight Modules		115,500 lb (52 390kg) – Optional						
		156,500 lb (70 987kg) – Optional						
		14,000 lb (6 350kg) Bottom Tray	22,000 lb (9 979kg) piece	22,000 lb (9 979kg) piece	22,000 lb (9 979kg) piece	(22,000 lb (9 979kg) Piece	13,500 lb (6 123kg) Top Tray	20,500lb (9 298kg) 2-Piece
Counterweight Usage Configurations	0 lb (0kg)							
	14,000 lb (6 350kg)	X						
	36,000 lb (16 329kg)	X	X					
	58,000 lb (26 308kg)	X	X	X				
	80,000 lb (36 287kg)	X	X	X	X			
	102,000 lb (46 266kg)	X	X	X	X	X		
	115,500 lb (52 390kg)	X	X	X	X	X	X	
	156,500 lb (70 987kg)	X	X	X	X	X	X	X

Carrier

General

- 9 ft 10 in (3.0m) wide
- 28 ft 9 in (8.76m) wheel base (centerline of first axle to centerline of fifth axle)
- **Frame** – Box – type, torsion resistant, welded construction made of high tensile steel. Equipped with front and rear tie – down lugs and access ladders.

Outriggers

Boxes – Two double box, front and rear welded to the carrier frame

Beams and Jacks – Four dual stage beams with Confined Area Lifting Capacities (CALC) provide selectable outrigger extensions of full, intermediate, and retracted positions. Jacks with integral check valves, hydraulically controlled from the operator's cab and on both sides of the carrier. A fifth self storing pontoon front bumper outrigger with integral check valves is hydraulically controlled from the operator's cab, both sides of carrier, and at the front bumper of carrier.

Pontoons – Four stow'n go, 22.25 in (56.52cm) square steel pontoons with a contact area of 385 in² (2 483.8cm²) can be stored for road travel under the outrigger boxes.

Outrigger Work Station Floodlights – Flood lights are mounted at each outrigger beam and 5th outrigger jack.

Main Jack Reaction – Front and rear jacks 203,000 lb (92 079kg) force and 527 psi (3 633.5kPa) 360° ground bearing pressure. Consult factory for base rating ground bearing pressure information.

Steering and Axles

- Sheppard full integral master gear/slave gear steering system provides hydraulic assisted steering with mechanical link between steering wheel and wheels

On Highway (Primary) Steering Mode – Axles 3, 4, and 5 will automatically steer in combination with axles 1 and 2 based on travel speed:

Speed	On-Highway (Primary)		
	Less than 18.6 mph (30km/h)	18.6-31 mph (30-50km/h)	Greater than 31 mph (50km/h)
Axle 1	Steered	Steered	Steered
Axle 2	Steered	Steered	Steered
Axle 3	Steered	Locked	Locked
Axle 4	Steered	Locked	Locked
Axle 5	Steered	Steered	Locked

Off Road (Auxiliary) Steering Modes – Four independent modes consisting of:

- **All Wheel:** Axles 1, 2, 3, 4, and 5
- **Diagonal (Crab):** Axles 1, 2, 3, 4, and 5
- **Independent Rear:** Axles 3, 4, and 5
- **Drive Away From Walls:** Temporary crab

The front, all wheel, and diagonal (crab) steering modes are controlled from the steering wheel and are selected by controls in the driver's cab. Switches in the driver's cab control the rear steering mode through the steering module display.

- **Emergency Steering** – A pump is flange-mounted to the transmission and provides hydraulic pressure to the steering circuit as long as the crane is in motion

- **Drive** – 10 x 6 for on/off-highway travel
- **Axle 1** – Steered, driven
- **Axle 2** – Steered
- **Axle 3** – Steered
- **Axle 4** – Steered, driven
- **Axle 5** – Steered, driven

- **Inter-Axle Differential Lock** – Traction aiding device that locks axles 1, 4, and 5. Operated by a switch in the carrier cab.

- **Transverse (Cross-Axle) Differential Locks** – Traction aiding device that locks differentials within axles 1, 4, and 5. Operated by a momentary switch in the carrier cab.

Suspension

Hydro – pneumatic, lockable with level adjustment and automatic ride height leveling. All axles have longitudinal and transverse trailing arms with leveling adjustment and lockable cylinders. The carrier can be raised and lowered by controls in the carrier cab that adjust the suspension cylinders.

- Cylinder stroke: –4.5 in (–11.43cm)/+3.5 in (8.89cm) at ride height

Ground Control Outrigger/Suspension Controls

Environmentally sealed and ergonomically positioned, control stations located on both sides of the carrier with controls for crane operations including:

- Start and stop carrier engine
- Throttle carrier engine up and down
- Raise suspension on outriggers
- Outrigger operation including:
 - Extends and retracts two beams together
 - Extends and retracts all main jacks together
 - Extend and retract fifth (bumper) outrigger
 - Automatic leveling on outriggers
- Outrigger lighting
- Bubble level

■ Tires and Wheels

Standard – Ten (single) 525/80R25 tires on steel disc wheels

Optional – Ten (single) 445/95R25 tires on steel disc wheels

- Tire inflation kit – optional
- Aluminum wheels on 525/80R25 – optional
- Spare tires and wheels – optional
- Aluminum wheels on 445/95R25 – optional

■ Brakes

Service – Air anti-lock (ABS) braking system. Disc brakes on all wheel ends. Dual circuit compressed air system with air dryer.

Parking/Emergency – Spring loaded type, acting on 3rd, 4th, and 5th axles automatically apply when air pressure drops below 40 psi (275kPa) in both circuits.

Intarder – Hydrodynamic driveline brake that is integral to the transmission. Activated by a switch in the carrier cab and controlled by a lever on the steering column.

Traction Control – ABS activated traction control to limit wheel slip of axles 4 and 5.

■ Central Lubrication System

Automated lubrication unit that injects grease into the steering gear arms, steering knuckles, axle king pins, and suspension cylinders. Activated by a timer on the ignition switch.

■ Electrical

Battery – Three batteries provide 12 volt starting and operation, easily accessible battery disconnects, and battery jumping posts

Lights

- Front lighting includes two main headlights, two high beam lights, two parking/directional indicators, and three cab marker lights
- Side lighting includes four parking/directional indicators per side
- Rear lighting includes two parking/directional indicators, two parking/brake lights, two reverse lights, three marker lights, and a license plate light
- Other equipment includes hazard/warning system, cab light, instrument panel light, signal horn, two outrigger lights on each side, and 5th outrigger light
- One amber strobe beacon on top of the cab – optional
- Daytime running lights – optional

■ Engine

Specification	Cummins ISX 15
Numbers of cylinders	6
Cycle	4
Bore and Stroke: inch (mm)	5.39 x 6.65 (136.9x169)
Piston Displacement: in ³ (cm ³)	912 (14 945)
Max. Brake Horsepower: hp (kW)	550 (410) @ 1,800 rpm 581 (434) @ 2,000 rpm
Peak Torque: ft lb (Nm)	1,850 (2 508) @ 1,200 rpm
Alternator: volts – amps	12 – 160
Crankcase Capacity: qt (L)	48 (45.4)
<ul style="list-style-type: none"> • Cruise control • Engine compression brake • Two thermostatically controlled, hydraulically driven radiator fans • Complies with EPA emissions standards effective January 2010 	

■ Transmission

Main Transmission – Automated – ZF AS-Tronic (no clutch pedal) manual transmission with 12 forward gears and 2 reverse gears.

Auxiliary Transmission – Air actuated manual transmission with high/low range

■ Fuel Tank

One 95 gal (359.6L) capacity aluminum fuel tank

■ Hydraulic System

All functions are hydraulically powered allowing positive, precise control with independent or simultaneous operation of all functions.

Main Pumps

- Two section fixed displacement gear pump for 1st and 2nd axle steering circuits, suspension, outriggers, and 3rd and 4th axle steering circuits
- One fixed displacement gear pump for 5th axle steering circuit
- One fixed displacement piston pump for cooling fan circuit
- Combined pump capacity of 66 gpm (249.8Lpm)

Hydraulic Reservoir – 57 gal (215.7L) capacity equipped with sight level gauge. Diffusers built in for deaeration.

Filtration – Two 10 micron, full flow return line filters. All oil is filtered prior to return to reservoir. Accessible for easy filter replacement.

■ Pump Drive

- Engine fan, outriggers, steering, and suspension pumps mounted to the back of engine
- Rear steering pump mounted to back of air compressor
- Ground driven pump mounted to back of transmission

■ Lower Cab and Controls

Environmental Cab – Fully enclosed, one person cab of composite structure with acoustical insulation. Equipped with:

- Tinted and tempered glass windows
- Roll down left side window for ventilation
- Intermittent windshield wiper and washer
- Six way adjustable and air suspended driver's seat with seat belt
- Two heated and electrically adjustable side view mirrors
- Engine dependent warm-water heater with air ducts for windshield defroster and cab floor
- Adjustable sun visor
- Dome light
- Fire extinguisher

Power Panel – Sealed power panel behind carrier cab containing:

- Main circuit breakers & relays
- Rear steer modules
- ABS modules
- 12/24 volt converter

Air Conditioning – Integral with cab heating system utilizing the same ventilation outlets

Cab Instrumentation – Ergonomically positioned instrumentation for driving including:

- Speedometer with odometer, hour meter, trip meter, and clock
- Tachometer
- Front and rear system air pressure with warning indicator
- Diesel emissions fluid level with warning indicator

Dash Mounted Controls For:

- Carrier lights
- Console dimmer switch
- Remote mirror control switches
- Mirror heating switch
- Cab heater/air conditioning switch
- Fresh/Recirculation air switch
- Park brake air valve
- Trailer brake air valve
- Carrier engine ignition switch

Dash Mounted Indicators For:

- Turn signal indication
- High beam headlights

Right Side Diagonal LCD Display – Ergonomically positioned on the right of driver's dash panel, digital instrumentation and indicators for crane operations including:

Gauges

- Engine water temperature
- Engine oil pressure
- Fuel level
- Voltmeter

Indicator Lights

- Regeneration inhibit
- Check engine
- Stop engine
- Service engine

- Exhaust regeneration
- High exhaust temperature
- Wait to start
- Cruise
- Park brake
- ABS
- Trailer ABS
- Steer computer
- Steer pump
- Steer hydraulic oil level
- Transaxle (cross-axle) differential lock
- Inter-axle differential lock
- Transfer case
- Travel mode
- Ride height
- Diesel Emissions Fluid (DEF) level
- Seat belt
- Traction control

Diagnostic Screens

- Engine
- After treatment
- Suspension/Outriggers
- Intarder

Right Side Console – Controls and indicators for:

- Transmission gear shifting
- Transmission digital readout
- Cruise controls
- Engine compression brake controls
- Steering electronic control panel
- Auxiliary transmission range selector switch
- Diesel particulate filter switch
- Regeneration inhibit switch
- Fan override switch
- ABS Traction control switch
- Transaxle (cross-axle) differential lock switch with indicator light
- Inter-axle differential lock switch with indicator light
- Travel mode switch
- Front axles (axles 1 & 2) suspension height switch
- Rear axles (axles 3-5) suspension height switch
- Ride height switch
- 2/12 volt accessory outlet (switched & unswitched)

Steering Column Controls For:

- Turn signal switch
- High beam switch
- Steering wheel adjustments
- Warning horn
- Hazard light switch
- Intarder brake control lever
- Intermittent windshield wiper and washer

Foot Controls For:

- Carrier service brakes
- Engine throttle

Fuse & Diagnostic Center – Located inside cab behind seat contains:

- Fuses, Relays
- Control Modules
- Diagnostic ports
 - Suspension diagnostic
 - Engine diagnostic
 - ABS Diagnostic
 - Cab display diagnostic
 - Intruder Diagnostic
 - Transmission Diagnostic
 - Steering Diagnostic

■ Additional Equipment

Standard:

- Aluminum full deck fenders with mud flaps
- One right side aluminum storage box with ladder
- Air hose connection ports
- Clearance flags
- Front and rear towing shackles
- Pneumatic and electrical quick disconnect connections mounted to the rear for trailer or boom dolly brakes and lights

Optional:

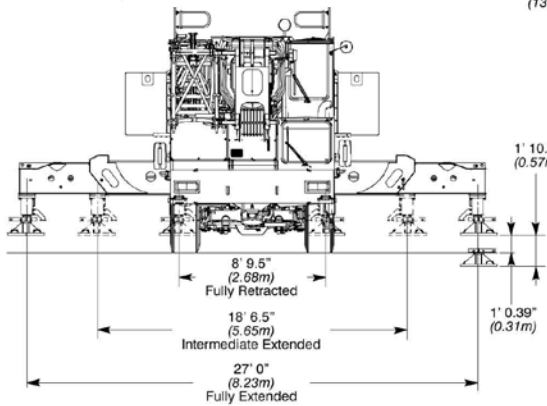
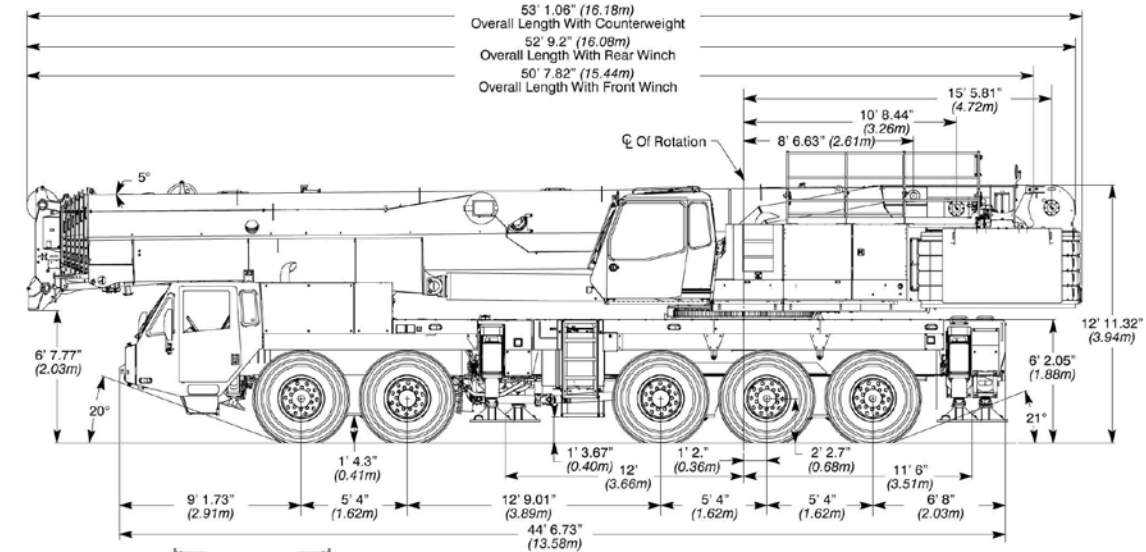
- Rear mounted pintle hook
- Boom removal kit

Carrier Speeds and Gradeability

ZF AS-Tronic Transmission		Speed				Gradeability (@ peak torque Except Creep @ Idle)	
Gear	Ratio	High Range (0.804)		Low Range (1.781)		% Grade	
		mph	km/h	mph	km/h	Min.	Max.
12th	0.78	62.00	99.78	26.33	42.37	1.51	5.20
11th	1.00	45.50	73.23	20.54	33.06	2.46	6.95
10th	1.27	35.83	57.66	16.17	26.02	3.51	9.06
9th	1.62	28.09	45.21	12.68	20.41	4.81	11.78
8th	2.10	21.67	34.87	9.78	15.74	6.54	15.49
7th	2.69	16.91	27.21	7.64	12.30	8.63	20.04
6th	3.56	12.78	20.57	5.77	9.29	11.68	26.75
5th	4.57	9.96	16.03	4.49	7.23	15.20	34.52
4th	5.78	7.87	12.67	3.55	5.71	19.42	43.84
3rd	7.41	6.14	9.88	2.77	4.46	25.09	56.38
2nd	9.59	4.74	7.63	2.14	3.44	27.01	60.61
1st	12.29	3.70	5.95	1.67	2.69	26.87	60.29
Reverse (1)	11.38	4.00	6.44	1.80	6.13	26.90	60.36
Reverse (2)	8.88	5.12	8.24	2.31	7.85	27.03	60.66
1st @ 700 rpm	12.29	1.30	2.09	0.58	0.93		
Reverse (1) @ 700 rpm	11.38	1.40	2.25	0.63	1.01		
Reverse (2) @ 700 rpm	8.88	1.79	2.88	0.81	1.30		

Based on a gross vehicle weight of 136,000 lb (61 688.5kg) using 525/80R25 tires

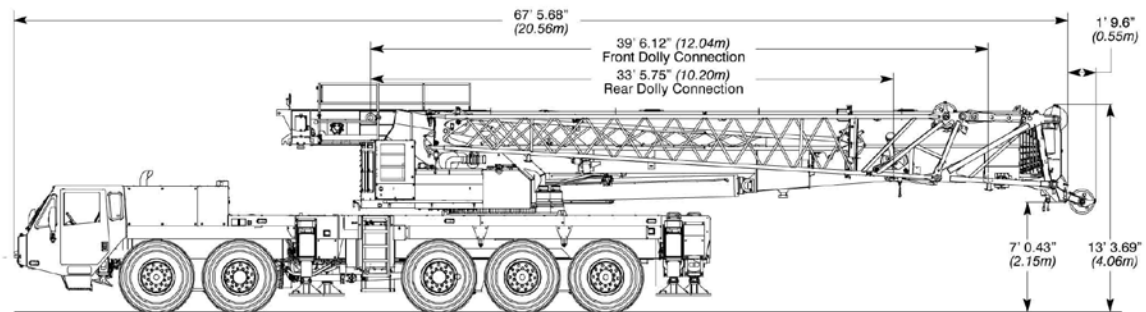
General Dimensions



Turning Radius	20.5R25		16.00R25	
	English	Metric	English	Metric
Wall to wall over carrier	42' 0"	12.8m	41' 6"	12.6m
Wall to wall over boom	42' 6"	12.9m	42' 2"	12.8m
Wall to wall over boom attachment	44' 11"	13.7m	44' 6"	13.5m
Curb to curb	37' 1"	11.3m	36' 3"	11.04m
Centerline of tire	36' 2"	11.0m	35' 6"	10.8m

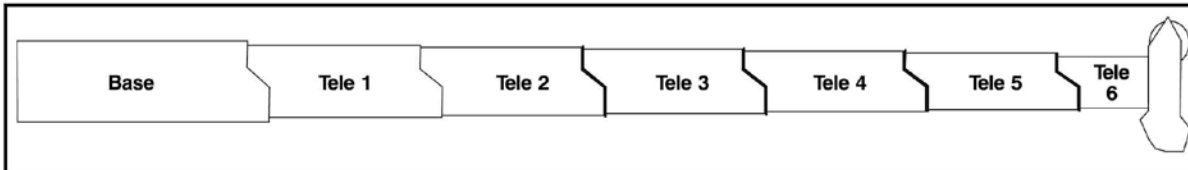
Tail Swing	English	Metric
With auxiliary winch	16' 11"	5.1m
Without auxiliary winch	14' 8"	4.7m
With Counterweight	17' 1"	5.21m

Overall Width	English	Metric
With 14,000 lb (6 350kg) counterweight	9' 10"	3.0m
With 36,000 - 115,000 lb (16 329 - 52 390kg) counterweight	10' 3"	3.1m
With 156,500 lb (70 987kg) counterweight	15' 2"	4.6m



Not To Scale

Boom Extend Modes



EM1 ALL SECTIONS EXTEND 100%							
Boom Length		Telescope Length					
ft	m	T6	T5	T4	T3	T2	T1
43.7	13.3						
71.1	21.7	100%					
99.6	30.3	100%	100%	0%			
128.9	39.3	100%	100%	100%	0%		
159.3	48.5	100%	100%	100%	100%	0%	
190.5	58.1	100%	100%	100%	100%	100%	0%
206.8	63.0	100%	100%	100%	100%	100%	50%
223	68.0	100%	100%	100%	100%	100%	100%

EM2 T6 50%, OTHERS 100%							
Boom Length		Telescope Length					
ft	m	T6	T5	T4	T3	T2	T1
43.7	13.3						
57.4	17.5	50%	0%	0%			
85.8	26.2	50%	100%	0%	0%		
115.2	35.1	50%	100%	100%	0%	0%	
145.5	44.4	50%	100%	100%	100%	0%	0%
176.8	53.9	50%	100%	100%	100%	100%	0%
193.1	58.8	50%	100%	100%	100%	100%	50%
209.3	63.8	50%	100%	100%	100%	100%	100%

EM3 T2,T3,T4 50%, OTHERS 100%							
Boom Length		Telescope Length					
ft	m	T6	T5	T4	T3	T2	T1
43.7	13.3						
71.1	21.7	100%	0%	0%	0%	0%	
99.5	30.3	100%	100%	0%	0%	0%	
114.2	34.8	100%	100%	50%	0%	0%	
129.4	39.4	100%	100%	50%	50%	0%	0%
145.0	44.2	100%	100%	50%	50%	50%	0%
161.3	49.2	100%	100%	50%	50%	50%	50%
177.5	54.1	100%	100%	50%	50%	50%	100%

EM4 T6,T1 100%, OTHERS 50%							
Boom Length		Telescope Length					
ft	m	T6	T5	T4	T3	T2	T1
43.7	13.3						
71.1	21.7	100%	0%	0%	0%	0%	
85.3	26.0	100%	50%	0%	0%	0%	
100.0	30.5	100%	50%	50%	0%	0%	
115.2	35.1	100%	50%	50%	50%	0%	0%
130.8	39.9	100%	50%	50%	50%	50%	0%
147.1	44.8	100%	50%	50%	50%	50%	50%
163.3	49.8	100%	50%	50%	50%	50%	100%

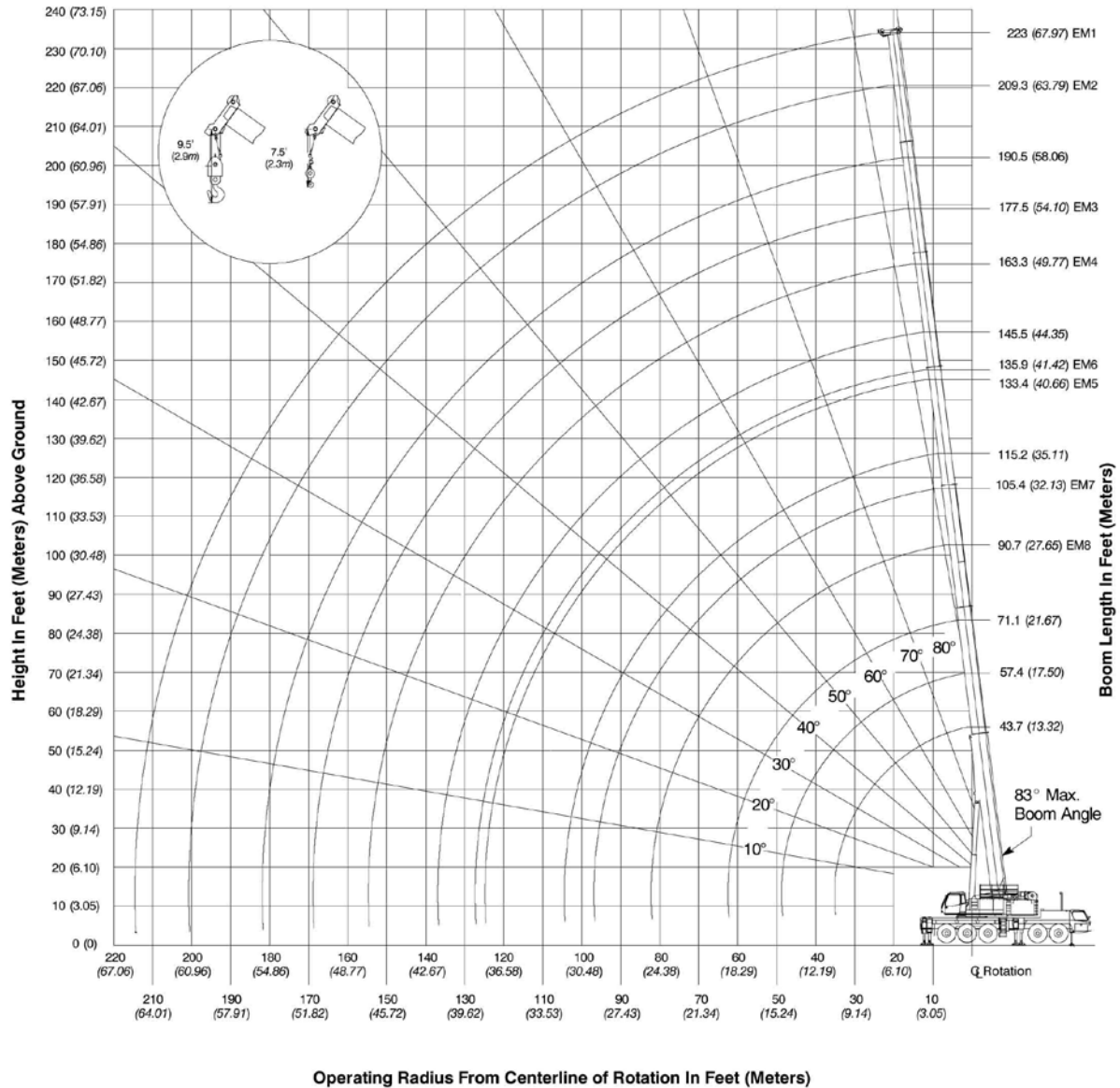
EM5 ALL SECTIONS 50%							
Boom Length		Telescope Length					
ft	m	T6	T5	T4	T3	T2	T1
43.7	13.3						
57.4	17.5	50%	0%				
71.6	21.8	50%	50%	0%			
86.3	26.3	50%	50%	50%	0%		
101.5	30.9	50%	50%	50%	50%	0%	
117.1	35.7	50%	50%	50%	50%	50%	0%
133.4	40.6	50%	50%	50%	50%	50%	50%

EM6 T6, RETRACTED, T1 100%, OTHERS 50%							
Boom Length		Telescope Length					
ft	m	T6	T5	T4	T3	T2	T1
43.7	13.3						
57.9	17.7	0%	50%	0%			
72.6	22.1	0%	50%	50%	0%		
87.8	26.7	0%	50%	50%	50%	0%	
103.4	31.5	0%	50%	50%	50%	50%	0%
119.6	36.5	0%	50%	50%	50%	50%	50%
135.9	41.4	0%	50%	50%	50%	50%	100%

EM7 T6,T5 RETRACTED, OTHERS 50%							
Boom Length		Telescope Length					
ft	m	T6	T5	T4	T3	T2	T1
43.7	13.3						
58.4	17.8	0%	0%	50%	0%	0%	0%
73.5	22.4	0%	0%	50%	50%	0%	0%
89.2	27.2	0%	0%	50%	50%	50%	0%
105.4	32.1	0%	0%	50%	50%	50%	50%

EM8 T6, T5, T4 RETRACTED, OTHERS 50%							
Boom Length		Telescope Length					
ft	m	T6	T5	T4	T3	T2	T1
43.7	13.3						
58.9	17.9	0%	0%	0%	50%	0%	0%
74.5	22.7	0%	0%	0%	50%	50%	0%
90.7	27.7	0%	0%	0%	50%	50%	50%

Working Range Diagram – Main Boom



Main Boom Lift Capacity Charts – Standard

0 lb Counterweight - Fully Extended Outriggers - 360° Rotation (All Capacities Are Listed In Pounds)										
Radius (ft)	Boom Length (ft)									Radius (ft)
	43.7	57.4-58.9	71.1-74.5	85.3-90.7	99.6-105.4	114.2-119.7	128.9-135.9	145-147.1	159.3-161.3	
10	324,000	303,000	268,900	225,200						10
12	290,800	293,400	268,900	225,200						12
15	237,700	242,400	241,600	211,500	170,500					15
20	147,000	154,400	156,500	156,100	153,900	142,800	102,900			20
25	99,700	108,800	112,900	114,300	113,900	110,000	102,900	84,500	66,000	25
30	62,900	72,100	77,200	77,400	80,200	79,400	77,500	74,600	66,000	30
35	42,600	51,600	56,100	58,200	58,700	59,900	59,200	57,500	55,000	35
40		38,500	42,900	44,800	46,200	46,500	46,600	44,300	42,000	40
45		29,500	33,900	35,600	36,900	37,100	37,300	35,000	36,200	45
50		18,900	27,200	29,000	30,300	30,500	30,700	28,600	29,600	50
55			22,000	24,000	25,100	25,300	25,500	23,500	24,500	55
60			18,000	19,900	21,100	21,300	21,400	19,500	20,500	60
65			7,400	16,700	17,800	18,000	18,100	16,400	17,200	65
70				13,900	15,300	15,500	15,600	13,800	14,800	70
75				11,700	12,900	13,200	13,400	11,500	12,500	75
80				3,100	11,000	11,300	11,500	9,700	10,600	80
85					9,300	9,600	9,800	8,000	9,000	85
90					7,900	8,100	8,400	6,600	7,500	90
95						6,800	7,100	5,400	6,300	95
100						5,700	5,900	4,300	5,200	100
105						4,800	4,900	3,300	4,200	105
110							4,000	2,400	3,300	110
115							3,200		2,500	115
120							2,500			120

Note: Capacities depict multiple boom modes.

This information is not for crane operation. Operator must refer to the in-cab information for crane operation. Rated lifting capacities shown on fully extended outriggers do not exceed 85% of the tipping loads.

36,000 lb Counterweight - Fully Extended Outriggers - 360° Rotation (All Capacities Are Listed In Pounds)														
Radius (ft)	Boom Length (ft)												Radius (ft)	
	43.7	57.4-58.9	71.1-74.5	85.3-90.7	99.6-105.4	114.2-119.7	128.9-135.9	145-147.1	159.3-163.3	176.8-177.5	190.5-193.1	206.8-209.3		223
10	331,300	303,000	268,900	225,200										10
12	297,500	299,900	268,900	225,200										12
15	257,100	260,200	252,900	211,500	170,500									15
20	193,000	200,100	199,100	196,900	170,500	142,800	102,900							20
25	135,900	142,900	145,300	145,100	143,300	140,300	119,000	84,500	70,200					25
30	102,600	110,400	114,000	115,000	114,400	110,000	106,000	84,500	70,200	55,200	35,500			30
35	78,500	86,900	90,100	91,100	90,800	89,200	86,800	84,500	70,200	55,200	45,600	34,300		35
40		68,300	71,600	72,600	72,300	72,200	72,600	70,300	68,700	55,200	45,600	36,700	30,100	40
45		54,700	58,100	59,100	61,200	60,600	59,200	57,800	58,000	55,200	45,600	36,700	30,100	45
50		40,700	49,000	50,800	51,200	50,700	50,700	50,200	48,200	47,200	45,600	36,700	30,100	50
55			41,200	43,100	43,500	43,500	43,800	42,500	40,500	40,400	38,900	36,700	30,100	55
60			35,100	37,000	37,400	38,300	37,700	36,400	36,400	34,400	35,400	34,300	30,100	60
65			22,900	32,100	33,400	33,500	33,700	31,700	32,700	29,900	30,800	29,500	28,300	65
70				28,000	29,300	29,500	29,600	27,700	28,700	25,900	26,800	25,500	24,300	70
75				24,600	25,900	26,100	26,200	24,400	25,300	22,500	23,500	22,100	21,000	75
80				15,200	22,900	23,200	23,300	21,500	22,400	19,700	20,600	19,300	18,200	80
85					20,400	20,700	20,800	19,000	19,900	17,200	18,200	17,200	16,100	85
90					18,300	18,500	18,700	17,100	17,800	15,400	16,300	15,000	14,000	90
95						16,700	16,900	15,200	16,100	13,500	14,400	13,200	12,100	95
100						15,000	15,200	13,500	14,400	11,900	12,800	11,500	10,500	100
105						13,500	13,700	12,100	12,900	10,400	11,300	10,100	9,000	105
110						5,000	12,300	10,700	11,600	9,100	10,000	8,700	7,700	110
115							11,100	9,500	10,400	7,900	8,800	7,600	6,500	115
120							10,000	8,400	9,300	6,800	7,700	6,500	5,500	120
125								7,400	8,300	5,800	6,700	5,500	4,500	125
130								6,500	7,400	4,900	5,800	4,600	3,600	130
135								5,700	6,500	4,100	5,000	3,800	2,800	135
140									5,700	3,300	4,200	3,100		140
145									5,000	2,600	3,500	2,400		145
150									4,400		2,900			150
155											2,200			155

Note: Capacities depict multiple boom modes.

This information is not for crane operation. Operator must refer to the in-cab information for crane operation. Rated lifting capacities shown on fully extended outriggers do not exceed 85% of the tipping loads.

Main Boom Lift Capacity Charts – Optional

80,000 lb Counterweight - Fully Extended Outriggers - 360° Rotation (All Capacities Are Listed In Pounds)														
Radius (ft)	Boom Length (ft)											Radius (ft)		
	43.7	57.4-58.9	71.1-74.5	85.3-90.7	99.6-105.4	114.2-119.7	128.9-135.9	145-147.1	159.3-163.3	176.8-177.5	190.5-193.1		206.8-209.3	223
10	337,700	303,000	268,900	225,200										10
12	305,400	302,400	268,900	225,200										12
15	264,300	267,100	252,900	211,500	170,500									15
20	214,100	217,600	215,200	211,500	170,500	142,800	102,900							20
25	172,100	177,100	176,900	176,000	168,800	142,800	119,000	84,500	70,200					25
30	135,300	142,300	142,100	140,800	143,000	140,100	113,200	84,500	70,200	55,200	35,500			30
35	107,500	114,100	116,700	117,100	115,600	113,200	102,900	84,500	70,200	55,200	45,600	34,300		35
40		95,300	96,800	97,300	96,200	98,200	95,900	79,300	70,200	55,200	45,600	36,700	30,100	40
45		80,500	83,900	85,100	85,000	83,700	81,500	74,300	70,200	55,200	45,600	36,700	30,100	45
50		65,200	72,300	73,500	73,300	72,000	70,000	69,900	66,000	55,200	45,600	36,700	30,100	50
55			62,400	63,600	63,300	62,100	62,500	61,600	60,000	54,800	45,600	36,700	30,100	55
60			54,300	55,400	55,200	54,700	55,500	53,500	52,000	52,000	44,800	36,700	30,100	60
65			41,400	48,800	48,800	50,400	49,100	47,200	47,700	46,600	42,200	36,700	30,100	65
70				43,400	44,200	44,900	43,700	42,700	42,700	41,200	39,500	36,700	30,100	70
75				38,800	40,600	40,300	39,100	39,800	38,100	36,600	36,700	35,500	30,100	75
80				29,800	36,600	36,300	35,200	35,900	34,400	33,600	33,100	34,000	30,100	80
85					33,300	33,000	33,100	32,700	31,000	30,900	30,500	30,500	29,400	85
90					30,400	30,000	30,800	29,700	28,000	27,900	28,800	27,500	26,400	90
95					19,400	27,300	28,200	27,000	25,300	25,300	26,200	24,900	23,800	95
100						25,400	25,800	24,700	23,000	22,900	23,800	22,600	21,500	100
105						24,200	23,600	22,600	20,900	20,900	21,700	20,500	19,400	105
110						15,100	21,800	20,700	19,700	19,000	19,900	18,600	17,500	110
115							20,100	19,000	18,700	17,300	18,200	16,900	16,200	115
120							18,600	17,400	17,800	16,000	16,900	15,700	14,700	120
125							9,400	16,200	16,900	14,600	15,500	14,300	13,300	125
130								14,900	15,800	13,400	14,200	13,000	12,000	130
135								13,700	14,600	12,200	13,100	11,900	10,900	135
140									13,500	11,100	12,000	10,800	9,800	140
145									12,500	10,100	11,000	9,800	8,800	145
150									11,600	9,100	10,000	8,900	7,900	150
155										8,300	9,200	8,000	7,000	155
160										7,500	8,400	7,200	6,300	160
165										6,800	7,600	6,500	5,500	165
170											6,900	5,800	4,800	170
175											6,300	5,100	4,200	175
180											5,700	4,500	3,500	180
185												3,900	3,000	185
190												3,400	2,400	190

Note: Capacities depict multiple boom modes.

This information is not for crane operation. Operator must refer to the in-cab information for crane operation. Rated lifting capacities shown on fully extended outriggers do not exceed 85% of the tipping loads.

102,000 lb Counterweight - Fully Extended Outriggers - 360° Rotation (All Capacities Are Listed In Pounds)														
Radius (ft)	Boom Length (ft)												Radius (ft)	
	43.7	57.4-58.9	71.1-74.5	85.3-90.7	99.6-105.4	114.2-119.7	128.9-135.9	145-147.1	159.3-163.3	176.8-177.5	190.5-193.1	206.8-209.3		223
10	340,300	303,000	268,900	225,200										10
12	307,900	302,400	268,900	225,200										12
15	267,900	269,800	252,900	211,500	170,500									15
20	217,100	220,600	218,100	211,500	170,500	142,800	102,900							20
25	181,200	185,000	184,300	183,900	168,800	142,800	119,000	84,500	70,200					25
30	148,300	153,500	153,400	152,700	150,800	142,800	113,200	84,500	70,200	55,200	35,500			30
35	121,500	128,200	128,300	127,400	129,600	126,900	102,900	84,500	70,200	55,200	45,600	34,300		35
40		105,900	108,400	108,800	107,700	105,400	102,900	79,300	70,200	55,200	45,600	36,700	30,100	40
45		90,700	92,100	92,600	91,600	93,700	91,400	74,300	70,200	55,200	45,600	36,700	30,100	45
50		74,200	79,600	80,000	81,200	81,200	79,100	69,900	66,000	55,200	45,600	36,700	30,100	50
55			71,200	72,400	72,200	71,100	69,100	66,000	61,200	54,800	45,600	36,700	30,100	55
60			63,000	64,100	64,100	63,000	61,100	62,300	58,800	52,000	44,800	36,700	30,100	60
65			49,400	57,200	57,100	56,000	55,800	55,600	53,000	49,400	42,200	36,700	30,100	65
70				51,200	51,100	50,100	51,500	49,600	48,100	46,800	39,500	36,700	30,100	70
75				46,000	45,900	46,300	46,300	44,500	43,100	43,800	37,400	36,700	30,100	75
80				36,500	41,400	43,000	41,800	40,000	40,900	39,400	35,500	34,900	30,100	80
85					37,800	39,100	38,000	36,300	37,000	35,600	33,700	32,800	30,100	85
90					36,200	35,700	34,600	34,600	33,900	32,500	32,100	30,900	30,100	90
95					25,000	32,800	31,800	32,600	31,000	29,600	29,700	29,300	29,200	95
100						30,200	29,100	30,000	28,400	27,200	27,100	27,900	26,900	100
105						27,900	27,300	27,600	26,000	25,900	24,800	25,600	24,500	105
110						20,000	26,100	25,500	23,900	23,900	23,700	23,500	22,500	110
115							24,600	23,600	22,000	22,000	22,600	21,600	20,600	115
120								23,000	21,800	20,300	20,300	21,100	19,900	120
125								13,700	20,300	18,700	18,700	19,600	18,400	125
130									18,900	17,300	17,300	18,100	17,000	130
135									17,600	16,100	16,100	17,000	15,900	135
140										14,900	14,900	15,800	14,600	140
145										13,900	13,700	14,600	13,500	145
150										13,300	12,700	13,600	12,500	150
155											11,700	12,600	11,500	155
160											10,800	11,700	10,600	160
165											10,000	10,800	9,700	165
170												10,000	8,900	170
175												9,300	8,200	175
180												8,600	7,400	180
185													6,700	185
190													6,000	190
195													3,400	195
200													2,800	200
205													3,200	205

Note: Capacities depict multiple boom modes.

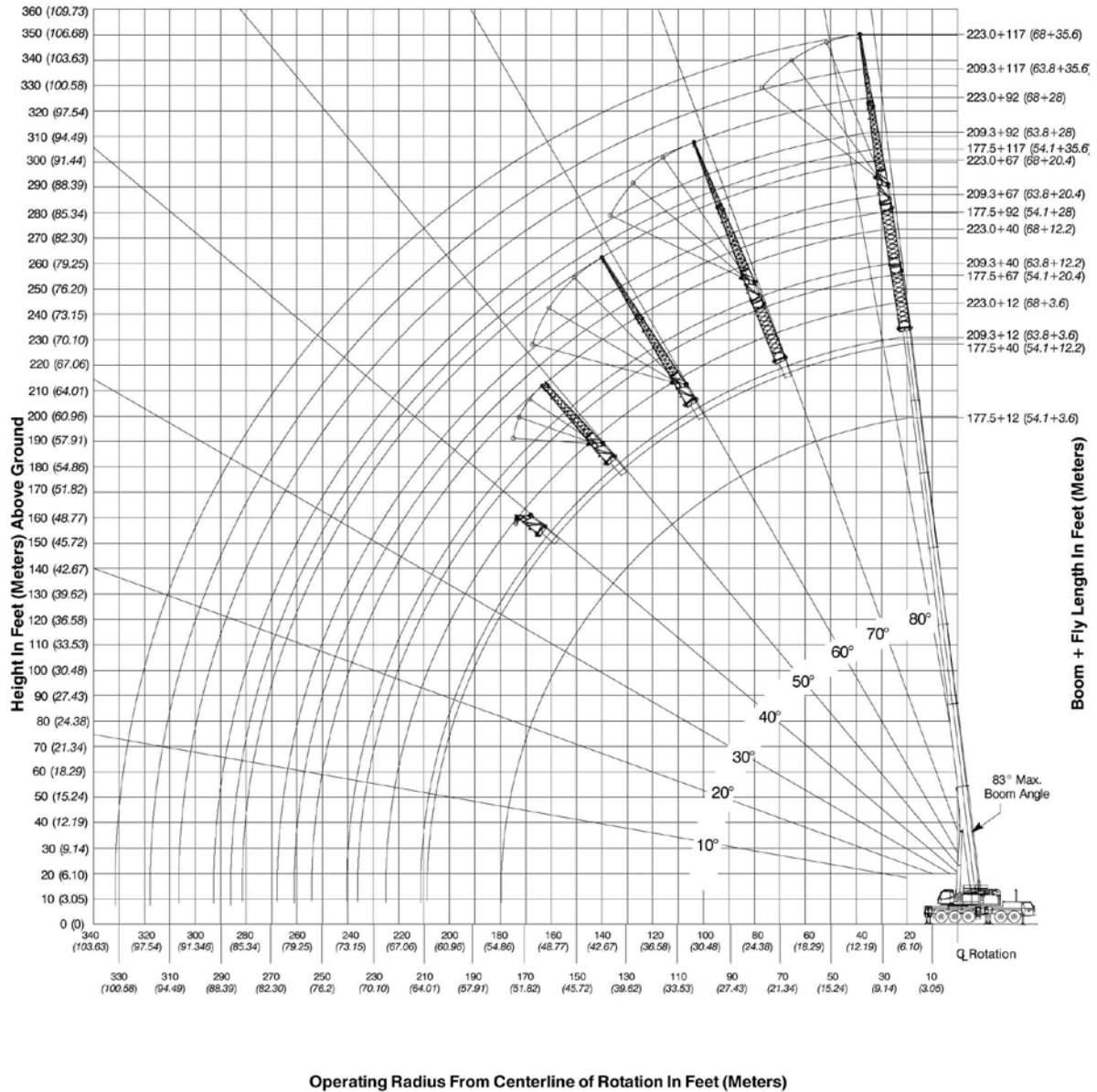
This information is not for crane operation. Operator must refer to the in-cab information for crane operation. Rated lifting capacities shown on fully extended outriggers do not exceed 85% of the tipping loads.

156,500 lb Counterweight - Fully Extended Outriggers - 360° Rotation (All Capacities Are Listed In Pounds)														
Radius (ft)	Boom Length (ft)												Radius (ft)	
	43.7	57.4-58.9	71.1-74.5	85.3-90.7	99.6-105.4	114.2-119.7	128.9-135.9	145-147.1	159.3-163.3	176.8-177.5	190.5-193.1	206.8-209.3		223
8	550,000*													8
10	350,000	303,000	268,900	225,200										10
12	313,900	302,400	268,900	225,200										12
15	274,100	275,700	252,900	211,500	170,500									15
20	224,600	226,900	225,300	211,500	170,500	142,800	102,900							20
25	187,500	191,300	189,000	190,100	168,800	142,800	119,000	84,500	70,200					25
30	159,900	163,900	162,700	163,000	159,400	142,800	113,200	84,500	70,200	55,200	35,500			30
35	138,500	142,700	142,600	142,000	140,500	141,800	102,900	84,500	70,200	55,200	45,600	34,300		35
40		125,900	125,900	125,300	124,000	125,200	102,900	79,300	70,200	55,200	45,600	36,700	30,100	40
45		110,100	110,100	109,600	111,500	109,700	102,900	74,300	70,200	55,200	45,600	36,700	30,100	45
50		94,800	97,300	96,800	98,700	97,000	96,100	69,900	66,000	55,200	45,600	36,700	30,100	50
55			88,600	86,200	88,100	86,500	88,100	66,000	61,200	54,800	45,600	36,700	30,100	55
60			79,800	80,100	79,300	78,000	79,400	62,300	56,800	52,000	44,800	36,700	30,100	60
65			66,300	71,700	70,800	72,900	71,000	59,100	53,000	49,400	42,200	36,700	30,100	65
70				64,500	63,700	65,800	63,900	56,300	49,500	46,800	39,500	36,700	30,100	70
75				58,400	57,700	59,600	57,800	53,700	46,400	43,900	37,400	36,700	30,100	75
80				50,200	54,500	54,300	52,400	51,400	43,500	41,300	35,500	34,900	30,100	80
85					50,900	49,800	48,000	49,200	41,000	39,000	33,700	32,800	30,100	85
90					46,900	45,700	44,000	45,500	38,700	36,800	32,100	30,900	30,100	90
95					36,400	42,100	42,200	41,900	36,500	34,800	30,600	29,300	29,200	95
100						38,900	40,500	38,600	34,600	32,900	29,200	27,900	27,600	100
105						36,100	37,600	35,700	32,900	31,200	27,800	26,700	26,100	105
110						29,800	34,900	33,300	31,600	29,700	26,600	25,500	24,700	110
115							32,700	30,900	30,400	28,200	25,500	24,300	23,400	115
120							29,400	28,700	29,300	26,800	24,400	23,300	22,200	120
125							22,000	26,700	27,600	25,500	23,200	22,300	21,000	125
130								24,900	25,800	24,300	22,000	21,400	20,000	130
135								23,300	24,100	22,700	21,000	20,400	19,000	135
140									22,600	21,200	19,900	19,600	18,000	140
145									21,200	19,700	19,000	18,800	17,100	145
150									19,800	18,400	18,100	18,100	16,300	150
155										17,300	17,200	17,400	15,500	155
160										16,100	16,200	16,600	14,800	160
165										15,000	15,100	15,900	14,000	165
170											14,100	15,000	13,400	170
175											13,200	14,000	12,700	175
180											12,700	13,100	12,100	180
185												12,300	11,200	185
190												11,500	10,400	190
195												8,700	9,600	195
200												7,800	8,900	200
205													8,200	205

Note: Capacities depict multiple boom modes.
* Over rear intermediate outriggers additional equipment required.

This information is not for crane operation. Operator must refer to the in-cab information for crane operation. Rated lifting capacities shown on fully extended outriggers do not exceed 85% of the tipping loads.

Working Range Diagram – Main Boom + Fly



Manual & Hydraulic Offset Fly Attachment Lift Capacity Charts – Optional

36,000 lb Counterweight - Fully Extended Outriggers - 360° Rotation (All Capacities Are Listed In Pounds)															
Main Boom + 12 ft Offset Fly (Manual Offsets 2°, 15°, 30°, 45° & Hydraulic Offsets 2° - 45°)															
Radius (ft)	Main Boom Length (ft)													Radius (ft)	
	43.7	57.4	71.1	85.8	99.6	114.2-115.2	128.9-129.4	145-145.5	159.3-161.3	176.8-177.5	190.5-193.1	206.8-209.3	223		
10	69,600	69,600	69,500	69,400											10
12	69,600	69,600	69,500	69,400											12
15	69,600	69,600	69,500	69,400	69,300	58,400	44,000								15
20	69,600	69,600	69,500	69,400	69,300	58,400	50,200	52,100	33,800						20
25	69,600	69,600	69,500	69,400	63,600	58,400	50,200	52,100	53,600	46,600	36,700				25
30	67,500	69,600	65,100	64,000	56,800	58,400	50,200	52,100	53,600	46,600	36,500	31,900			30
35	63,300	69,600	58,400	57,700	51,000	55,000	50,200	52,100	53,600	46,600	36,200	31,400	25,900		35
40	58,300	66,700	52,000	52,300	46,100	49,900	50,200	52,100	53,600	46,600	36,200	31,400	25,700	40	40
45	53,600	57,200	46,900	47,600	42,000	45,500	48,600	51,500	53,600	46,600	36,200	31,400	25,700	45	45
50		47,400	42,600	43,700	38,900	42,000	45,100	47,900	47,000	45,300	36,200	31,400	25,700	50	50
55		39,900	39,400	40,700	35,800	39,000	42,000	41,500	39,400	37,700	36,200	31,400	25,700	55	55
60			36,100	36,400	33,200	36,300	36,800	35,400	33,700	33,500	32,000	30,700	25,700	60	60
65			31,400	31,600	30,800	32,800	32,100	30,800	31,600	28,700	29,500	28,100	25,700	65	65
70			27,500	27,700	28,800	28,800	28,700	26,800	27,500	24,700	25,500	24,100	22,900	70	70
75				24,300	25,500	25,400	25,300	23,400	24,200	21,400	22,200	20,800	19,600	75	75
80				21,500	22,600	22,500	22,400	20,500	21,300	18,600	19,400	18,000	16,800	80	80
85				19,100	20,200	20,000	19,900	18,100	18,800	16,400	16,900	15,900	14,800	85	85
90					18,000	17,900	17,800	16,200	16,900	14,300	15,100	13,800	12,700	90	90
95					16,300	16,200	16,100	14,300	15,000	12,400	13,200	11,900	10,800	95	95
100					14,700	14,500	14,400	12,600	13,400	10,800	11,600	10,300	9,200	100	100
105						13,000	12,900	11,200	11,900	9,300	10,100	8,800	7,700	105	105
110						11,700	11,600	9,800	10,500	8,000	8,800	7,500	6,400	110	110
115						10,600	10,400	8,700	9,300	6,800	7,600	6,300	5,300	115	115
120							9,400	7,800	8,300	5,800	6,500	5,300	4,200	120	120
125							8,400	6,600	7,300	4,800	5,500	4,300	3,200	125	125
130							7,600	5,700	6,400	3,900	4,600	3,400	2,400	130	130
135								4,900	5,600	3,100	3,800	2,600		135	135
140								4,200	4,800	2,400	3,100			140	140
145								3,600	4,100		2,400			145	145
150									3,500					150	150
155									2,900					155	155
160									2,400					160	160

Note: Capacities depict multiple boom modes.

This information is not for crane operation. Operator must refer to the in-cab information for crane operation. Rated lifting capacities shown on fully extended outriggers do not exceed 85% of the tipping loads.

156,500 lb Counterweight - Fully Extended Outriggers - 360° Rotation (All Capacities Are Listed In Pounds)															
Main Boom + 12 ft Offset Fly (Manual Offsets 2', 15', 30', 45' & Hydraulic Offsets 2' - 45')															
Radius (ft)	Main Boom Length (ft)												Radius (ft)		
	43.7	57.4	71.1	85.8	99.6	114.2-115.2	128.9-129.4	145-145.5	159.3-161.3	176.8-177.5	190.5-193.1	206.8-209.3		223	
10	69,600	69,600	69,500	69,400										10	
12	69,600	69,600	69,500	69,400										12	
15	69,600	69,600	69,500	69,400	69,300	58,400	44,000							15	
20	69,600	69,600	69,500	69,400	69,300	58,400	50,200	52,100	33,800					20	
25	69,600	69,600	69,500	69,400	63,600	58,400	50,200	52,100	53,600	46,600	36,700			25	
30	67,500	69,600	65,100	64,000	56,800	58,400	50,200	52,100	53,600	46,600	36,500	31,900		30	
35	63,300	69,600	58,400	57,700	51,000	55,000	50,200	52,100	53,600	46,600	36,200	31,400	25,900	35	
40	58,300	66,700	52,000	52,300	46,100	49,900	50,200	52,100	53,600	46,600	36,200	31,400	25,700	40	
45	55,100	63,300	46,900	47,600	42,000	45,500	48,600	51,500	53,600	46,600	36,200	31,400	25,700	45	
50		59,200	42,600	43,700	38,900	42,000	45,100	47,900	50,300	46,600	36,200	31,400	25,700	50	
55		56,400	39,400	40,700	35,800	39,000	42,000	44,800	47,200	46,600	36,200	31,400	25,700	55	
60			36,300	37,700	33,200	36,300	39,300	42,000	44,400	45,900	36,200	31,400	25,700	60	
65			33,600	35,100	30,800	33,900	36,900	39,600	41,900	43,500	36,200	31,400	25,700	65	
70			31,200	32,600	28,800	31,800	34,700	37,400	39,600	41,200	36,200	31,400	25,700	70	
75				30,300	26,900	29,900	32,700	35,300	37,600	39,200	34,700	31,400	25,700	75	
80				28,300	25,300	28,200	30,900	33,500	35,700	37,400	32,800	31,400	25,700	80	
85				26,600	23,800	26,600	29,300	31,800	34,100	35,700	31,000	31,100	25,700	85	
90					22,500	25,200	27,800	30,300	32,500	34,100	29,400	29,200	25,700	90	
95					21,300	23,900	26,500	28,900	31,100	32,700	27,900	27,500	25,700	95	
100					20,200	22,700	25,300	27,600	29,700	31,000	26,600	25,800	25,700	100	
105						21,500	24,100	26,400	28,500	29,300	25,300	24,300	24,400	105	
110						20,600	23,100	25,300	27,400	27,800	24,100	23,000	23,000	110	
115						19,600	22,000	24,300	26,300	26,300	23,000	22,000	21,700	115	
120							21,100	23,400	25,300	25,000	21,900	20,900	20,500	120	
125							20,200	22,400	24,400	23,700	20,700	19,900	19,400	125	
130							19,400	21,600	23,600	22,500	19,800	19,100	18,400	130	
135								20,700	22,800	21,400	19,000	18,200	17,400	135	
140								20,000	21,800	20,300	18,200	17,500	16,400	140	
145								19,300	20,400	18,800	17,400	16,700	15,500	145	
150									19,000	17,500	16,500	16,000	14,700	150	
155									17,800	16,400	15,700	15,300	13,900	155	
160									16,800	15,300	14,900	14,700	13,100	160	
165										14,200	14,100	14,100	12,400	165	
170										13,200	13,100	13,600	11,800	170	
175											12,200	12,100	12,900	11,100	175
180												11,200	12,000	10,500	180
185												10,500	11,200	9,900	185
190												10,000	10,400	9,200	190
195												6,600	9,600	8,400	195
200													8,900	7,700	200
205													8,200	7,000	205
210														6,400	210
215														5,800	215
220														5,200	220

Note: Capacities depict multiple boom modes.

This information is not for crane operation. Operator must refer to the in-cab information for crane operation. Rated lifting capacities shown on fully extended outriggers do not exceed 85% of the tipping loads.

Manual Offset Fly Attachment Lift Capacity Charts – Optional

36,000 lb Counterweight - Fully Extended Outriggers - 360° Rotation (All Capacities Are Listed In Pounds)									
223 ft Main Boom Length									
Radius (ft)	40 ft Manual Offset Fly				67 ft Manual Offset Fly				Radius (ft)
	2°	15°	30°	45°	2°	15°	30°	45°	
40									40
45	14,900								45
50	14,900				10,100				50
55	14,900	14,800			10,100				55
60	14,900	14,800			10,100				60
65	14,900	14,800	14,600		10,100				65
70	14,900	14,800	14,600		10,100	10,100			70
75	14,900	14,800	14,600	14,300	10,100	10,100			75
80	14,900	14,800	14,600	14,300	10,100	10,100			80
85	14,900	14,800	14,600	14,300	10,100	10,100	9,900		85
90	13,900	14,800	14,600	14,300	10,100	10,100	9,900		90
95	12,000	13,300	14,600	14,300	10,100	10,100	9,900		95
100	10,300	11,500	12,800	13,700	10,100	10,100	9,900	9,700	100
105	8,900	10,000	11,100	12,000	8,800	10,100	9,900	9,700	105
110	7,500	8,600	9,600	10,500	8,500	10,100	9,900	9,700	110
115	6,300	7,300	8,300	9,100	7,300	9,000	9,900	9,700	115
120	5,200	6,200	7,100	7,800	6,200	7,800	9,500	9,700	120
125	4,300	5,100	6,000	6,600	5,100	6,700	8,300	9,500	125
130	3,400	4,200	5,000	5,600	4,200	5,700	7,200	8,400	130
135	2,500	3,300	4,100	4,600	3,400	4,800	6,200	7,300	135
140		2,500	3,200	3,700	2,600	3,900	5,200	6,300	140
145			2,400	2,900		3,100	4,400	5,300	145
150				2,100		2,400	3,600	4,500	150
155							2,800	3,700	155
160							2,100	2,900	160
165								2,200	165

This information is not for crane operation. Operator must refer to the in-cab information for crane operation. Rated lifting capacities shown on fully extended outriggers do not exceed 85% of the tipping loads.

36,000 lb Counterweight - Fully Extended Outriggers - 360° Rotation (All Capacities Are Listed In Pounds)									
223 ft Main Boom Length									
Radius (ft)	92 ft Manual Offset Fly				117 ft Manual Offset Fly				Radius (ft)
	2°	15°	30°	45°	2°	15°	30°	45°	
60	7,100								60
65	7,100								65
70	7,100				5,300				70
75	7,100	7,000			5,300				75
80	7,100	7,000			5,300				80
85	7,100	7,000			5,300	5,300			85
90	7,100	7,000			5,300	5,300			90
95	7,100	7,000	6,800		5,300	5,300			95
100	7,100	7,000	6,800		5,300	5,300			100
105	7,100	7,000	6,800	6,600	5,300	5,300	5,100		105
110	7,100	7,000	6,800	6,600	5,300	5,300	5,100		110
115	7,100	7,000	6,800	6,600	5,300	5,300	5,100	4,900	115
120	7,100	7,000	6,800	6,600	5,300	5,300	5,100	4,900	120
125	7,100	7,000	6,800	6,600	5,300	5,300	5,100	4,900	125
130	7,100	7,000	6,800	6,600	5,300	5,300	5,100	4,900	130
135	7,100	7,000	6,800	6,600	5,300	5,300	5,100	4,900	135
140	6,600	7,000	6,800	6,600	5,300	5,300	5,100	4,900	140
145	5,700	7,000	6,800	6,600	5,300	5,300	5,100	4,900	145
150	4,900	6,100	6,800	6,600	4,900	5,300	5,100	4,900	150
155	4,100	5,300	6,500	6,600	4,100	5,300	5,100	4,900	155
160	3,400	4,600	5,700	6,500	3,400	4,600	5,100	4,900	160
165	2,800	3,900	4,900	5,700	2,700	3,900	5,000	4,900	165
170	2,200	3,200	4,200	4,900	2,100	3,200	4,200	4,900	170
175		2,600	3,500	4,200		2,600	3,600	4,300	175
180			2,900	3,500			2,900	3,600	180
185			2,300	2,900			2,300	3,000	185
190				2,300				2,400	190

This information is not for crane operation. Operator must refer to the in-cab information for crane operation. Rated lifting capacities shown on fully extended outriggers do not exceed 85% of the tipping loads.

156,500 lb Counterweight - Fully Extended Outriggers - 360° Rotation (All Capacities Are Listed In Pounds)									
223 ft Main Boom Length									
Radius (ft)	40 ft Manual Offset Fly				67 ft Manual Offset Fly				Radius (ft)
	2°	15°	30°	45°	2°	15°	30°	45°	
40									40
45	14,900								45
50	14,900				10,100				50
55	14,900	14,800			10,100				55
60	14,900	14,800			10,100				60
65	14,900	14,800	14,600		10,100				65
70	14,900	14,800	14,600		10,100	10,100			70
75	14,900	14,800	14,600	14,300	10,100	10,100			75
80	14,900	14,800	14,600	14,300	10,100	10,100			80
85	14,900	14,800	14,600	14,300	10,100	10,100	9,900		85
90	14,900	14,800	14,600	14,300	10,100	10,100	9,900		90
95	14,900	14,800	14,600	14,300	10,100	10,100	9,900		95
100	14,900	14,800	14,600	14,300	10,100	10,100	9,900	9,700	100
105	14,900	14,800	14,600	14,300	10,100	10,100	9,900	9,700	105
110	14,900	14,800	14,600	14,300	10,100	10,100	9,900	9,700	110
115	14,900	14,800	14,600	14,300	10,100	10,100	9,900	9,700	115
120	14,900	14,800	14,600	14,300	10,100	10,100	9,900	9,700	120
125	14,900	14,800	14,600	14,300	10,100	10,100	9,900	9,500	125
130	14,900	14,800	14,600	14,300	10,100	10,100	9,900	9,400	130
135	14,900	14,800	14,600	14,300	10,100	10,100	9,900	9,300	135
140	14,900	14,800	14,600	14,300	10,100	10,100	9,900	9,200	140
145	14,900	14,800	14,600	14,300	10,100	10,100	9,900	9,100	145
150	14,300	14,600	14,600	14,300	10,100	10,100	9,900	9,000	150
155	13,500	13,800	14,000	14,200	10,100	10,100	9,800	8,900	155
160	12,800	13,100	13,300	13,500	10,100	10,100	9,600	8,800	160
165	12,100	12,400	12,600	12,700	10,100	10,100	9,500	8,700	165
170	11,400	11,700	11,900	12,100	10,100	10,100	9,300	8,600	170
175	10,800	11,100	11,300	11,400	10,100	10,100	9,200	8,500	175
180	10,200	10,500	10,700	10,800	10,100	10,100	9,100	8,500	180
185	9,700	9,900	10,100	10,200	9,600	10,000	9,000	8,400	185
190	9,100	9,400	9,500	9,600	9,100	9,500	8,800	8,300	190
195	8,600	8,800	9,000	9,100	8,500	9,000	8,700	8,300	195
200	8,100	8,300	8,500	8,500	8,100	8,500	8,600	8,200	200
205	7,600	7,800	8,000	8,000	7,600	8,000	8,300	8,200	205
210	7,200	7,400	7,500	7,500	7,200	7,500	7,800	8,000	210
215	6,600	6,900	7,000	7,100	6,700	7,100	7,400	7,500	215
220	6,000	6,300	6,500		6,300	6,700	6,900	7,100	220
225	5,400	5,700	5,800		5,900	6,300	6,500	6,600	225
230	4,900	5,100	5,200		5,600	5,900	6,100	6,200	230
235	4,400	4,600	4,600		5,100	5,500	5,700	5,700	235
240	3,900	4,000	4,100		4,600	5,000	5,300	5,300	240
245	3,400	3,500			4,100	4,500	4,800		245
250					3,600	4,000	4,300		250
255					3,200	3,500	3,700		255
260					2,800	3,100	3,200		260
265					2,400	2,600	2,700		265
270						2,200			270

This information is not for crane operation. Operator must refer to the in-cab information for crane operation. Rated lifting capacities shown on fully extended outriggers do not exceed 85% of the tipping loads.

156,500 lb Counterweight - Fully Extended Outriggers - 360° Rotation (All Capacities Are Listed In Pounds)									
223 ft Main Boom Length									
Radius (ft)	92 ft Manual Offset Fly				117 ft Manual Offset Fly				Radius (ft)
	2°	15°	30°	45°	2°	15°	30°	45°	
60	7,100								60
65	7,100								65
70	7,100				5,300				70
75	7,100	7,000			5,300				75
80	7,100	7,000			5,300				80
85	7,100	7,000			5,300	5,300			85
90	7,100	7,000			5,300	5,300			90
95	7,100	7,000	6,800		5,300	5,300			95
100	7,100	7,000	6,800		5,300	5,300			100
105	7,100	7,000	6,800	6,600	5,300	5,300	5,100		105
110	7,100	7,000	6,800	6,600	5,300	5,300	5,100		110
115	7,100	7,000	6,800	6,600	5,300	5,300	5,100	4,900	115
120	7,100	7,000	6,800	6,600	5,300	5,300	5,100	4,900	120
125	7,100	7,000	6,800	6,600	5,300	5,300	5,100	4,900	125
130	7,100	7,000	6,800	6,600	5,300	5,300	5,100	4,900	130
135	7,100	7,000	6,800	6,600	5,300	5,300	5,100	4,900	135
140	7,100	7,000	6,800	6,600	5,300	5,300	5,100	4,900	140
145	7,100	7,000	6,800	6,600	5,300	5,300	5,100	4,900	145
150	7,100	7,000	6,800	6,600	5,300	5,300	5,100	4,900	150
155	7,100	7,000	6,800	6,600	5,300	5,300	5,100	4,900	155
160	7,100	7,000	6,800	6,600	5,300	5,300	5,100	4,900	160
165	7,100	7,000	6,800	6,600	5,300	5,300	5,100	4,900	165
170	7,100	7,000	6,800	6,600	5,300	5,300	5,100	4,900	170
175	7,100	7,000	6,800	6,600	5,300	5,300	5,100	4,900	175
180	7,100	7,000	6,800	6,600	5,300	5,300	5,100	4,900	180
185	7,100	7,000	6,800	6,600	5,300	5,300	5,100	4,900	185
190	7,100	7,000	6,800	6,600	5,300	5,300	5,100	4,900	190
195	7,100	7,000	6,800	6,600	5,300	5,300	5,100	4,800	195
200	7,100	7,000	6,800	6,600	5,300	5,300	4,900	4,700	200
205	6,900	7,000	6,800	6,600	5,300	5,100	4,700	4,600	205
210	6,500	6,900	6,700	6,500	5,300	4,900	4,600	4,400	210
215	6,100	6,500	6,600	6,300	5,200	4,800	4,500	4,300	215
220	5,700	6,100	6,400	6,200	5,000	4,600	4,300	4,200	220
225	5,300	5,700	6,000	6,100	4,600	4,400	4,200	4,100	225
230	4,900	5,300	5,600	5,700	4,200	4,300	4,100	4,000	230
235	4,600	4,900	5,200	5,300	3,900	4,200	3,900	3,900	235
240	4,200	4,500	4,800	4,900	3,600	3,900	3,800	3,700	240
245	3,900	4,200	4,400	4,500	3,200	3,600	3,700	3,600	245
250	3,500	3,900	4,100	4,200	2,900	3,300	3,600	3,500	250
255	3,100	3,500	3,800	3,800	2,600	3,000	3,200	3,400	255
260	2,600	3,100	3,400	3,400	2,300	2,600	2,900	3,000	260
265	2,200	2,600	2,900	2,900		2,300	2,600	2,700	265
270		2,200	2,500			2,100	2,300	2,400	270

This information is not for crane operation. Operator must refer to the in-cab information for crane operation. Rated lifting capacities shown on fully extended outriggers do not exceed 85% of the tipping loads.

Hydraulic Offset Fly Attachment Lift Capacity Charts – Optional

36,000 lb Counterweight - Fully Extended Outriggers - 360° Rotation (All Capacities Are Listed In Pounds)							
223 ft Main Boom Length							
Radius (ft)	40 ft Hydraulic Offset Fly			67 ft Hydraulic Offset Fly			Radius (ft)
	2° - 15°	15° - 30°	30° - 45°	2° - 15°	15° - 30°	30° - 45°	
40	14,800						40
45	14,800			10,100			45
50	14,800	14,800		10,100			50
55	14,800	14,800		10,100			55
60	14,800	14,600	14,600	10,100			60
65	14,800	14,600	14,600	10,000	10,000		65
70	14,800	14,600	14,200	10,000	10,000		70
75	14,800	14,600	14,200	10,000	10,000		75
80	14,800	14,600	14,200	10,000	10,000		80
85	14,800	14,600	14,200	10,000	9,900	9,900	85
90	13,900	14,600	14,200	10,000	9,900	9,900	90
95	12,000	13,300	14,200	10,000	9,900	9,900	95
100	10,300	11,500	12,800	10,000	9,900	9,700	100
105	8,900	10,000	11,100	9,800	9,900	9,700	105
110	7,500	8,900	9,600	8,500	9,900	9,700	110
115	6,300	7,300	8,300	7,300	9,000	9,700	115
120	5,200	6,200	7,100	6,200	7,800	9,500	120
125	4,300	5,100	6,000	5,100	6,700	8,300	125
130	3,400	4,200	5,000	4,200	5,700	7,200	130
135	2,500	3,300	4,100	3,400	4,800	6,200	135
140		2,500	3,200	2,600	3,900	5,200	140
145			2,400		3,100	4,400	145
150					2,400	3,600	150
155						2,800	155
160						2,100	160

This information is not for crane operation. Operator must refer to the in-cab information for crane operation. Rated lifting capacities shown on fully extended outriggers do not exceed 85% of the tipping loads.

58,000 lb Counterweight - Fully Extended Outriggers - 360° Rotation (All Capacities Are Listed In Pounds)							
223 ft Main Boom Length							
Radius (ft)	92 ft Hydraulic Offset Fly			117 ft Hydraulic Offset Fly			Radius (ft)
	2° - 15°	15° - 30°	30° - 45°	2° - 15°	15° - 30°	30° - 45°	
50	7,000						50
55	7,000						55
60	7,000			5,300			60
65	7,000			5,300			65
70	7,000	7,000		5,300			70
75	7,000	7,000		5,300			75
80	7,000	7,000		5,200	5,200		80
85	7,000	6,800	7,000	5,200	5,200		85
90	7,000	6,800	7,000	5,200	5,200		90
95	7,000	6,800	7,000	5,200	5,100	5,100	95
100	7,000	6,800	6,800	5,200	5,100	5,100	100
105	7,000	6,800	6,800	5,200	5,100	4,800	105
110	7,000	6,800	6,800	5,200	5,100	4,800	110
115	7,000	6,800	6,800	5,200	5,100	4,800	115
120	7,000	6,800	6,800	5,200	5,100	4,800	120
125	7,000	6,800	6,800	5,200	5,100	4,800	125
130	7,000	6,800	6,800	5,200	5,100	4,800	130
135	7,000	6,800	6,800	5,200	5,100	4,800	135
140	6,600	6,800	6,800	5,200	5,100	4,800	140
145	5,700	6,800	6,800	5,200	5,100	4,800	145
150	4,900	6,100	6,800	4,900	5,100	4,800	150
155	4,100	5,300	6,800	4,100	5,100	4,800	155
160	3,400	4,600	6,800	3,400	4,600	4,800	160
165	2,800	3,900	6,100	2,700	3,900	4,800	165
170	2,200	3,200	5,300	2,100	3,200	4,200	170
175		2,600	4,600		2,600	3,600	175
180			3,900			2,900	180
185			3,200			2,300	185
190			2,600				190

This information is not for crane operation. Operator must refer to the in-cab information for crane operation. Rated lifting capacities shown on fully extended outriggers do not exceed 85% of the tipping loads.

156,500 lb Counterweight - Fully Extended Outriggers - 360° Rotation (All Capacities Are Listed In Pounds)							
223 ft Main Boom Length							
Radius (ft)	40 ft Hydraulic Offset Fly			67 ft Hydraulic Offset Fly			Radius (ft)
	2° - 15°	15° - 30°	30° - 45°	2° - 15°	15° - 30°	30° - 45°	
40	14,800						40
45	14,800			10,100			45
50	14,800	14,800		10,100			50
55	14,800	14,800		10,100			55
60	14,800	14,600	14,600	10,100			60
65	14,800	14,600	14,600	10,000	10,000		65
70	14,800	14,600	14,200	10,000	10,000		70
75	14,800	14,600	14,200	10,000	10,000		75
80	14,800	14,600	14,200	10,000	10,000		80
85	14,800	14,600	14,200	10,000	9,900	9,900	85
90	14,800	14,600	14,200	10,000	9,900	9,900	90
95	14,800	14,600	14,200	10,000	9,900	9,900	95
100	14,800	14,600	14,200	10,000	9,900	9,700	100
105	14,800	14,600	14,200	10,000	9,900	9,700	105
110	14,800	14,600	14,200	10,000	9,900	9,700	110
115	14,800	14,600	14,200	10,000	9,900	9,700	115
120	14,800	14,600	14,200	10,000	9,900	9,700	120
125	14,800	14,600	14,200	10,000	9,900	9,500	125
130	14,800	14,600	14,200	10,000	9,900	9,400	130
135	14,800	14,600	14,200	10,000	9,900	9,300	135
140	14,800	14,600	14,200	10,000	9,900	9,200	140
145	14,800	14,600	14,200	10,000	9,900	9,100	145
150	14,300	14,600	14,200	10,000	9,900	9,000	150
155	13,500	13,800	14,000	10,000	9,800	8,900	155
160	12,800	13,100	13,300	10,000	9,600	8,800	160
165	12,100	12,400	12,600	10,000	9,500	8,700	165
170	11,400	11,700	11,900	10,000	9,300	8,600	170
175	10,800	11,100	11,300	10,000	9,200	8,500	175
180	10,200	10,500	10,700	10,000	9,100	8,500	180
185	9,700	9,900	10,100	9,600	9,000	8,400	185
190	9,100	9,400	9,500	9,100	8,800	8,300	190
195	8,600	8,800	9,000	8,500	8,700	8,300	195
200	8,100	8,300	8,500	8,100	8,500	8,200	200
205	7,600	7,800	8,000	7,600	8,000	8,200	205
210	7,200	7,400	7,500	7,200	7,500	7,800	210
215	6,600	6,900	7,000	6,700	7,100	7,400	215
220	6,000	6,300	6,500	6,300	6,700	6,900	220
225	5,400	5,700	5,800	5,900	6,300	6,500	225
230	4,900	5,100	5,100	5,600	5,900	6,100	230
235	4,400	4,600	4,500	5,100	5,500	5,700	235
240	3,900	4,000	3,900	4,600	5,000	5,300	240
245	3,400	3,500		4,100	4,500	4,800	245
250				3,600	4,000	4,200	250
255				3,200	3,500	3,600	255
260				2,800	3,100	3,000	260
265				2,400	2,600		265
270					2,200		270

This information is not for crane operation. Operator must refer to the in-cab information for crane operation. Rated lifting capacities shown on fully extended outriggers do not exceed 85% of the tipping loads.

156,500 lb Counterweight - Fully Extended Outriggers - 360° Rotation (All Capacities Are Listed In Pounds)							
223 ft Main Boom Length							
Radius (ft)	92 ft Hydraulic Offset Fly			117 ft Hydraulic Offset Fly			Radius (ft)
	2° - 15°	15° - 30°	30° - 45°	2° - 15°	15° - 30°	30° - 45°	
50	7,000						50
55	7,000						55
60	7,000			5,300			60
65	7,000			5,300			65
70	7,000	7,000		5,300			70
75	7,000	7,000		5,300			75
80	7,000	7,000		5,200	5,200		80
85	7,000	6,800	6,800	5,200	5,200		85
90	7,000	6,800	6,800	5,200	5,200		90
95	7,000	6,800	6,800	5,200	5,100	5,100	95
100	7,000	6,800	6,600	5,200	5,100	5,100	100
105	7,000	6,800	6,600	5,200	5,100	4,800	105
110	7,000	6,800	6,600	5,200	5,100	4,800	110
115	7,000	6,800	6,600	5,200	5,100	4,800	115
120	7,000	6,800	6,600	5,200	5,100	4,800	120
125	7,000	6,800	6,600	5,200	5,100	4,800	125
130	7,000	6,800	6,600	5,200	5,100	4,800	130
135	7,000	6,800	6,600	5,200	5,100	4,800	135
140	7,000	6,800	6,600	5,200	5,100	4,800	140
145	7,000	6,800	6,600	5,200	5,100	4,800	145
150	7,000	6,800	6,600	5,200	5,100	4,800	150
155	7,000	6,800	6,600	5,200	5,100	4,800	155
160	7,000	6,800	6,600	5,200	5,100	4,800	160
165	7,000	6,800	6,600	5,200	5,100	4,800	165
170	7,000	6,800	6,600	5,200	5,100	4,800	170
175	7,000	6,800	6,600	5,200	5,100	4,800	175
180	7,000	6,800	6,600	5,200	5,100	4,800	180
185	7,000	6,800	6,600	5,200	5,100	4,800	185
190	7,000	6,800	6,600	5,200	5,100	4,800	190
195	7,000	6,800	6,600	5,200	5,100	4,800	195
200	7,000	6,800	6,600	5,200	4,900	4,700	200
205	6,900	6,800	6,600	5,100	4,700	4,600	205
210	6,500	6,700	6,500	4,900	4,600	4,400	210
215	6,100	6,500	6,300	4,800	4,500	4,300	215
220	5,700	6,100	6,200	4,600	4,300	4,200	220
225	5,300	5,700	6,000	4,400	4,200	4,100	225
230	4,900	5,300	5,600	4,200	4,100	4,000	230
235	4,600	4,900	5,200	3,900	3,900	3,900	235
240	4,200	4,500	4,800	3,600	3,800	3,700	240
245	3,900	4,200	4,400	3,200	3,600	3,600	245
250	3,500	3,900	4,100	2,900	3,300	3,500	250
255	3,100	3,500	3,800	2,600	3,000	3,200	255
260	2,600	3,100	3,400	2,300	2,600	2,900	260
265	2,200	2,600	2,900		2,300	2,600	265
270		2,200	2,400		2,100	2,300	270

This information is not for crane operation. Operator must refer to the in-cab information for crane operation. Rated lifting capacities shown on fully extended outriggers do not exceed 85% of the tipping loads.



This Page Intentionally Blank



1-800-233-2763
www.craneserviceinc.com

5583-0212-S2

Link-Belt Construction Equipment Company Lexington, Kentucky www.linkbelt.com

©Link-Belt is a registered trademark. Copyright 2012. We are constantly improving our products and therefore reserve the right to change designs and specifications.